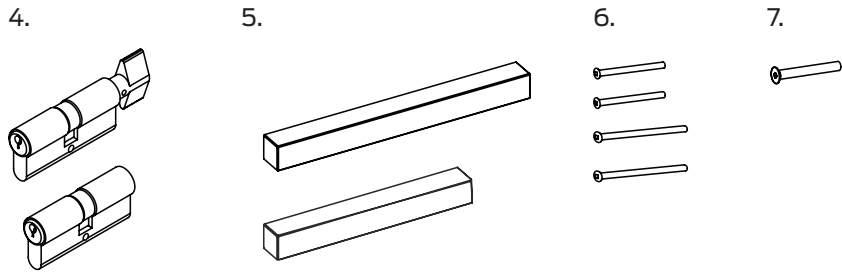
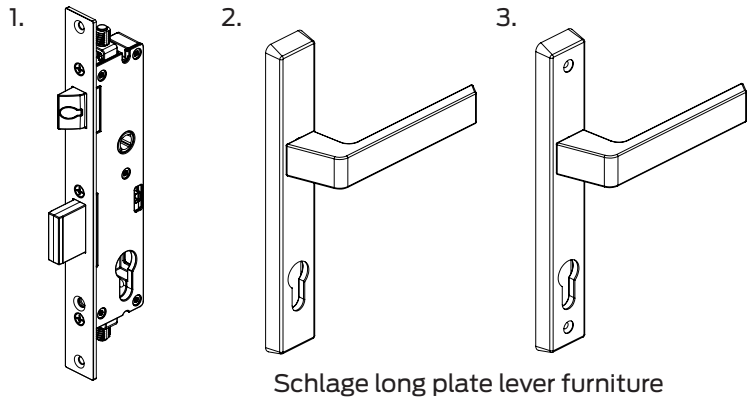




Virtus Four Point Lock Installation Guide

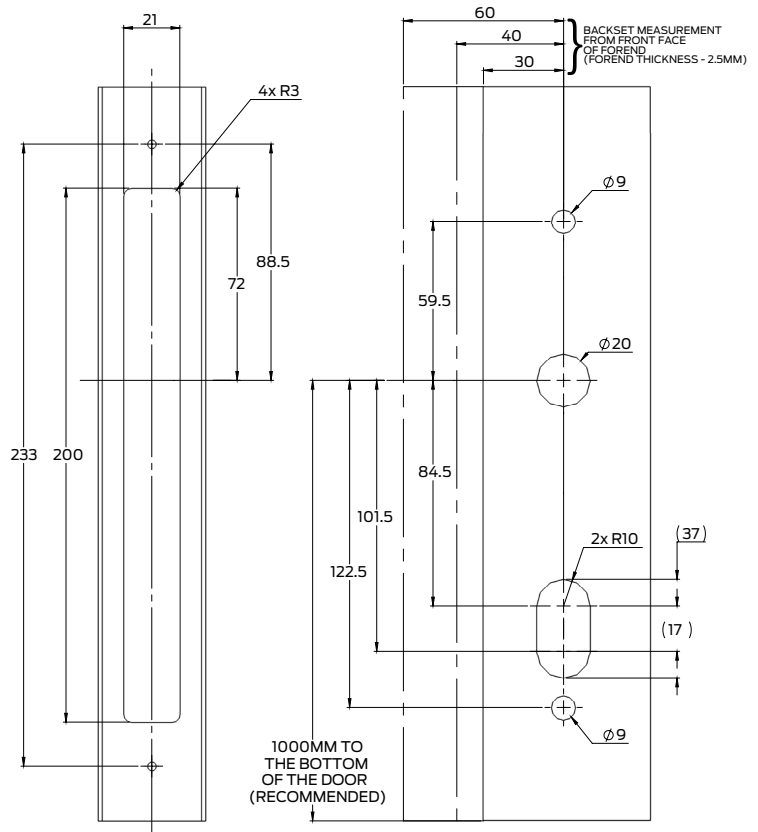
Contents

1. Lock body
2. Long plate external furniture
3. Long plate internal furniture
4. Cylinder (not included, length to suit door thickness)
5. Zinc spindles
6. Furniture fixing screws
7. Cylinder retaining screw



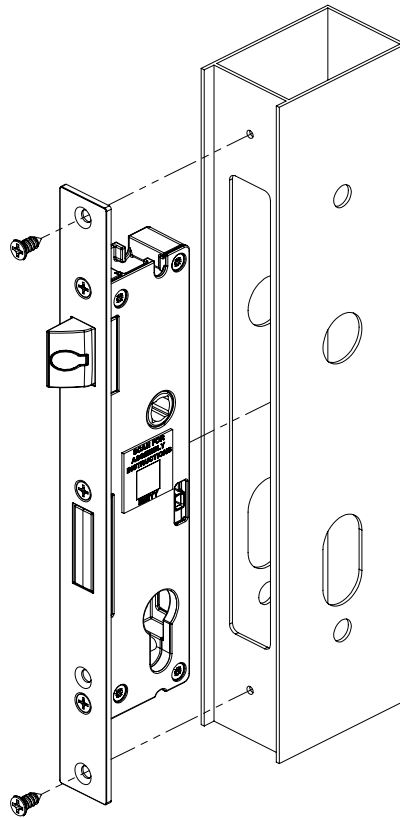
Step 1: Door Preparation

- 1.1 Route the door as per technical dimensions



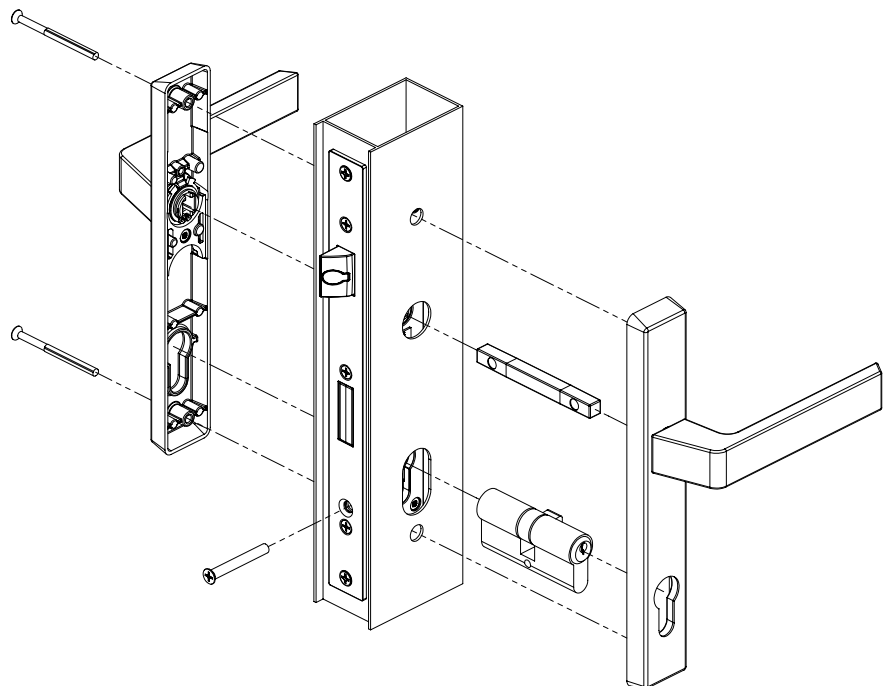
Step 2: Installing the Lock

- 2.1 Insert lock into the stile
- 2.2 Secure with screws (max length 12mm)



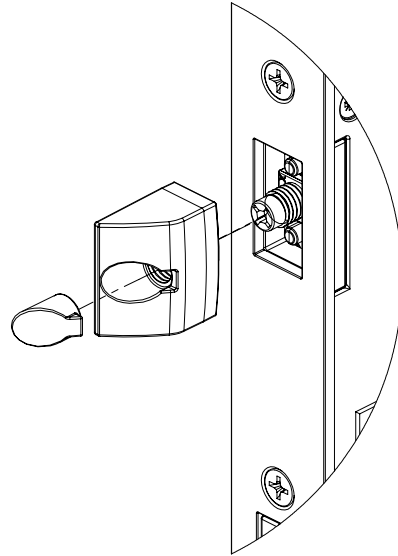
Step 3: Mounting Accessories

- 3.1 Insert the spindle in to the square hub of the lock
- 3.2 Insert the cylinder into the cylinder hole and secure with the cylinder retaining screw
- 3.3 Mount the internal and external hardware onto the spindle and cylinder
- 3.4 Secure furniture with supplied fixing screws



Step 4: Re-handing & Latch Adjustment

- 4.1 Check latch to determine if handing is correct
- 4.2 To re-hand the latch, turn the latch head screw counter-clockwise with a manual screw driver until the latch is proud of the forehand
- 4.3 Rotate the latch head 180 degrees and re-tighten the screw fixing
- 4.4 To increase the latch projection turn the latch screw counter-clockwise
- 4.5 Latch projection can be increased by a maximum of 2mm from original position



Step 5: Shoot Bolt Assembly

- 5.1 Cut the shoot bolts to the required length as per instructions below:
 - Measure the distances as shown
 - Use the formula below and cut the lengths (lengths include threaded end piece)

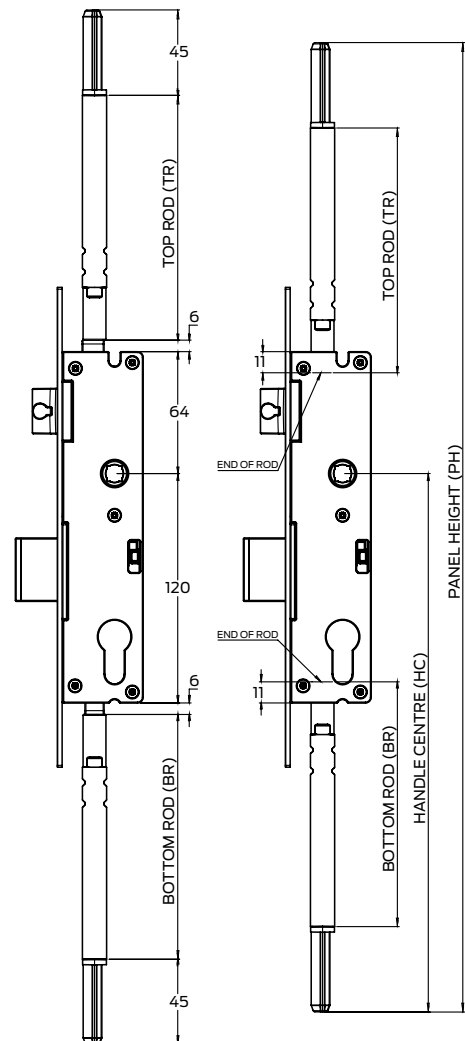
Top Rod (TR) = Panel Height (PH)
- Handle Centre (HC) -98mm

Bottom Rod (BR)
= Handle Centre (HC) -154mm

(Using this formula will result in the shoot bolts being flush with the top of the door panel)

- 5.2 Insert D-bolt into top/bottom of shoot bolt vertical rod.
- 5.3 Crimp D-bolt to retain and hold.
- 5.4 Insert rods from the top and bottom of the stile and screw into the lock.
- 5.5 Retain D-bolts in stile to prevent rotation but allow throw

Note: If cylinder turn knob, key or lever is difficult to turn, lift or depress, inspect the alignment of strike plates.



Allegion Australia

Freephone 1800 098 094
Email info.au@allegion.com
www.allegion.com.au

Allegion New Zealand

Freephone 0800 477 869
Email nzinfo@allegion.com
www.allegion.co.nz

PDSC0041

© 2023 Allegion

